



**ROUND EMERGENCY LIGHT**

Date:..... Location: .....

Product:.....Project:.....

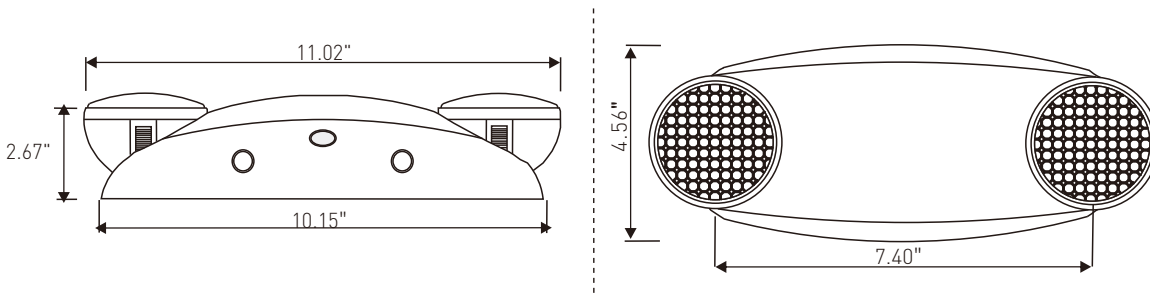
Quantity:..... Catalog# .....



► Electric Characteristic

Model NO	Input Wattage	Input Current	Efficiency	Recharge Time	Output Wattage	Light Source	Lead-Acid Battery	Emergency duration	Product Size
LS-EML012	2W	0.016A	0.97P	24H	2W	Ultra bright LED	3.6V/600mAh	>90mins	11.02"*4.56"*2.67"

► DIMENSION



**IMPORTANT SAFETY GUIDES**

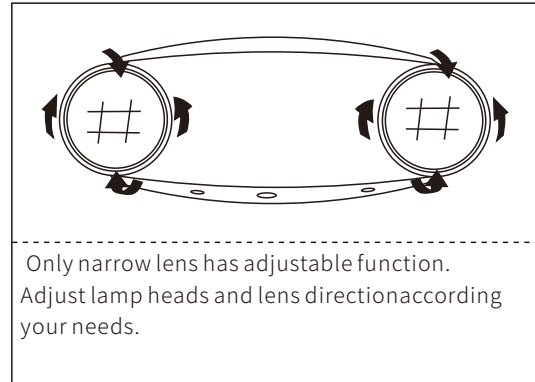
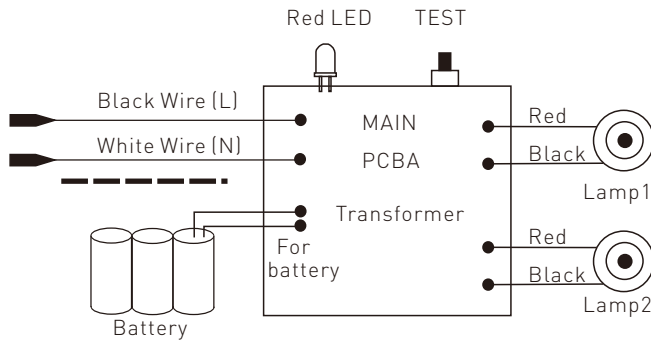
- When using electrical equipment, basic safety precautions should always be followed including the following
- When using electrical equipment, turn off all electrical power before installation.

**READ AND FOLLOW ALL SAFETY INSTRUCTIONS**

- Read and follow all safety instructions.
- Disconnect power before performing work on electrical equipment.
- Do not use outdoors.
- Do not let power cords touch hot surfaces.
- Do not install in hazardous locations or near gas or electric heaters.
- The use of accessory equipment not recommended by manufacturer, may cause an unsafe condition which will void the unit's warranty.
- Do not use this equipment for other than its intended purpose.
- Servicing of this equipment should be performed by qualified service personnel.
- Equipment should be mounted in locations and at heights where it will not be subjected to tampered by unauthorized personnel.
- Allow battery to be charged up to 24 hours before first use.

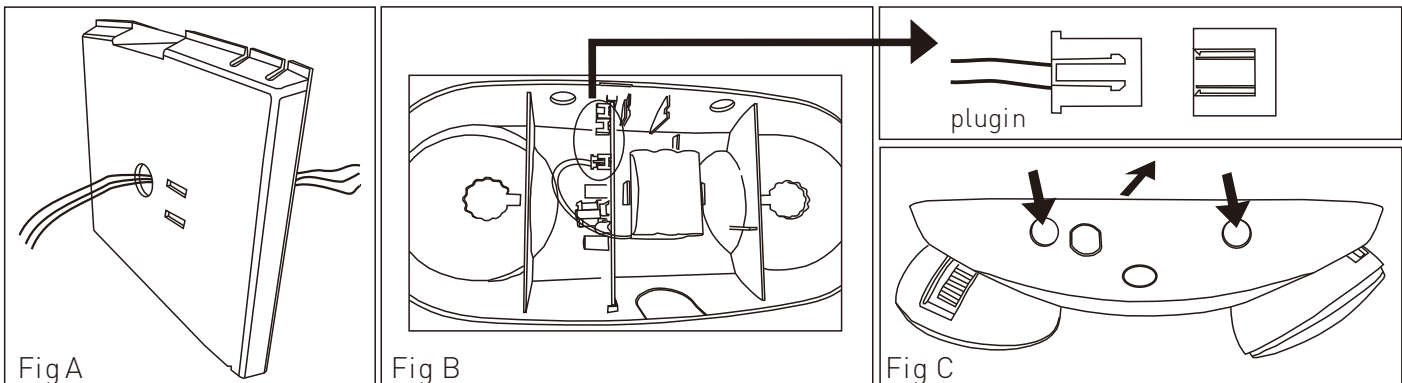
► WIRING DIAGRAM

► ADJUST LAMP HEADS AND LENS



**INSTALLATION(J-BOX MOUNTING):**

1. Feed fixture leads through main bottom case and connect AC power supply (Fig A).
2. Connect wires through J-Box .Place bottom case on J-Box and secure with screw
3. Connect battery only when continuous AC power can be provided to the unit(Fig B).
4. Align snaps and push housing directly onto main bottom case(Fig C) apply continuous AC power and press "TEST" button to check lamps.



**WARNING:**

Unused wires must be capped using enclosed wire nuts.

**INSTALLATION(CONDUIT):**

1. Secure main bottom case to wall surface.Route wires through hole in conduit flange and make conduit connection.
- 2 Connect battery only when continuous AC power can be provided to the unit(Fig B).
- 3 Align snaps and push housing directly onto main bottom case(FigC).Apply continuous AC power and press "TEST" button to check light.