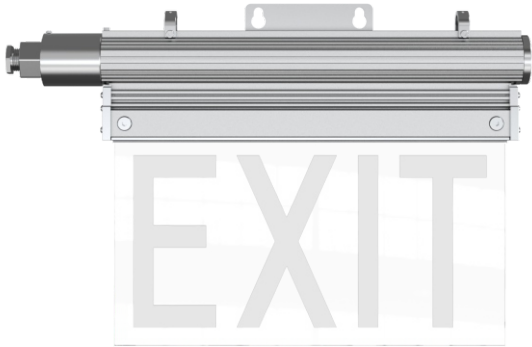




## C1D2 Explosion Proof LED Exit Sign



Date:..... Location: .....

Product:..... Project:.....

Quantity:..... Catalog# .....

### FEATURES:

- Class 1 Division 2 Groups A, B, C, D explosion proof exit sign.
- Light weight and compact structure.
- Integrated junction box for driver with emergency backup.
- Ingress protection rating IP66.
- Low energy consumption.
- 3-hour emergency operation.
- Stainless-steel exposed fasteners with high corrosion resistance.
- Alternate exit legend and languages available.
- Sealed unit. BATTERY not replaceable. Replace entire exit sign unit when necessary

### Standard Materials:

- Housing: Aluminum
- EXIT sign plate: Tempered glass
- Hardware: Stainless steel
- Mounting Sling: Stainless steel

### Explanation of Indicator Light:

RGY: Three colors indicator light.

If two or three indicator lights remains ON during initial power-up, the unit must reset using switch, press and hold the switch for 5-6s until unit turns off, release the switch, press ON switch again to turn the unit ON, The indicator lights should turn to normal operation after reset.

#### •RED

1. Fast charging for 2 hours.
2. Charging indicator, displaying 20% -80% battery capacity

#### •GREEN

1. Trickle charging.
2. Charging indicator, displaying 80% -100% battery capacity
3. Green light on when disconnecting the battery

#### •YELLOW:

1. Discharge below 20%.
2. If the yellow light is on in any state, the product is out of order.

### Explanation of Switch:

1. Press the switch "ON" once, the EXIT sign and indicator light will flash once, the flashing cycle has an ON / OFF interval of 10 seconds.
2. When the main power is disconnected, press and hold the switch for 3 to 5 seconds to turn off the product. To turn EXIT sign ON again, restore the main power, the unit will activate automatically.

#### Two Options of Function:

Model 1: EXIT sign remains illuminated whether the main power is ON or OFF  
 Model 2: EXIT sign does not illuminate when the main power is ON, but turns on immediately during a power outage.

#### Certifications:

UL 844 Hazardous Locations  
 Class I, Division 2, Groups A, B, C, D  
 Class II, Division 1, Groups E, F, G  
 Class II, Division 2, Groups F, G  
 Class III  
 UL 924, ABS

### PERFORMANCE:

Model NO	Input Voltage	Rated Wattage	Emergency Time	Temperature Rating (Ambient)
EX-5WVNRD180 (utilize Red LEDs)	120-277V/AC	5W	3H	-20°C to +60°C
EX-5WVNGD180 (utilize Green LEDs)	120-277V/AC	5W	3H	-20°C to +60°C

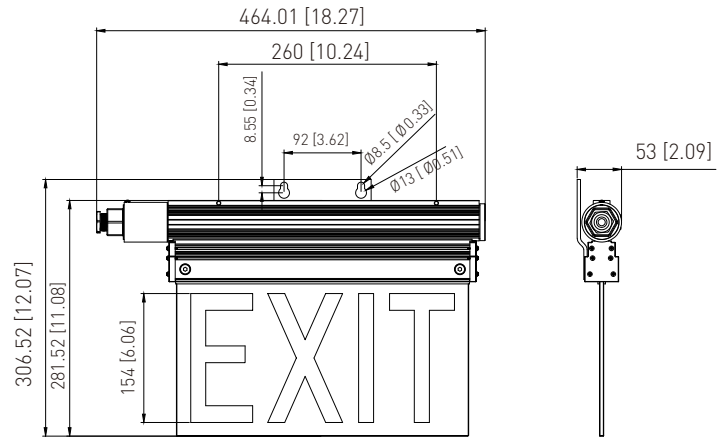
### PRODUCT ORDERING GUIDE

EX-5WVNRD180

1	2	3	4	5	6
EX	5W	V	N	R	D180

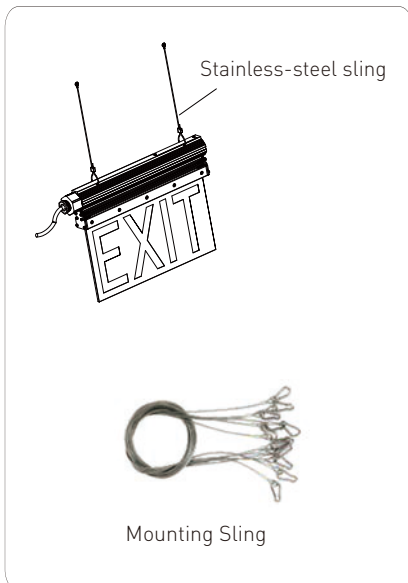
- EX Explosion Proof product
- 5W Wattage: 5W
- V Product series: V series
- N Non-dimmable
- R Color of LED: R for red, G for green
- D180 Beam angle: 180°

### DIMENSION

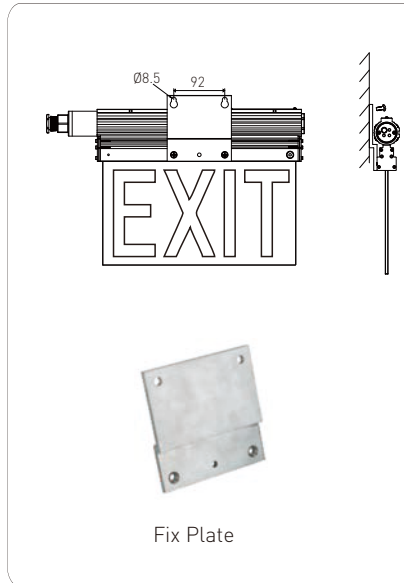


### Mounting Methods and Accessories:

Pendant Mounting:



Wall Mounting:



Pipe Mounting:

