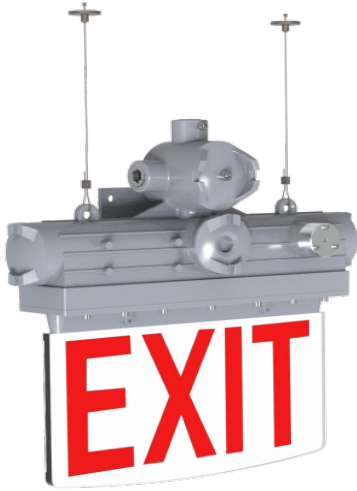




## C1D1 Explosion Proof LED Exit Sign



Date:..... Location: .....

Product:..... Project:.....

Quantity:..... Catalog# .....

### FEATURES:

- Class I, Division 1, Groups B,C,D
- 3-hour emergency operation.
- Alternate exit legend and languages available.
- Provided with 3/4" NPT or M25 conduit hubs.
- Long lifespan up to 50,000 hours.
- Working Temperature: 0°C-40°C
- Ingress protection rating IP66.

### Standard Materials:

- Housing: A356T6 aluminum with baked-on gray epoxy finish
- Gasket: One-piece silicone
- Hardware: Stainless steel
- Mounting Sling: Stainless steel
- EXIT Sign Plate: Tempered glass

### Explanation of Indicator Light:

RGY: three-colors indicator light

If two or three indicator lights remain ON during initial power-up, the unit must reset using the switch,press and hold the ON switch for 5-6s until unit turns off,release the switch, press ON switch again to turn the unit ON, the indicator lights should turn to normal operation after reset.

- **RED**
  1. Fast charging for 2 hours.
  - 2.Charging indicator, displaying 20% -80% battery capacity.
- **GREEN**
  - 1 Trickle charging.
  2. Charging indicator, displaying 80% -100% battery capacity
  3. Green light on when disconnecting the battery
- **YELLOW:**
  1. Discharge below 20%.
  2. If the yellow light is on in any state, the product is out of order.

### Explanation of Switch:

Magnetic Switch:

1. Press the ON Switch once, the EXIT sign and indicator light will flash once, the flashing cycle has an ON/OFF interval of 10 seconds.
2. When the main power is disconnected, press and hold the switch for 3 to 5 seconds to turn off the product. To turn EXIT sign ON again, restore the main power, the unit will activate automatically.

#### Two Options of Function:

Model 1: EXIT sign remains illuminated whether the main power is ON or OFF  
 Model 2: EXIT sign does not illuminate when the main power is on, but turns ON immediately during a power outage.

#### Certifications:

Marking UL844 (North America)  
 Class I, Division 1, Groups B,C,D /  
 Class I, Division 2, Groups A, B, C, D  
 Class II, Division 1, Groups E, F, G/  
 Class II, Division 2, Groups F, G  
 Class III, UL924/UL844/UL121201/CSA NO.213/CSA C22.2 No.137-18

### PERFORMANCE:

Model NO	Input Voltage	Rated Wattage	Emergency Time	Temperature Rating (Ambient)
EX-5W JNRD180	120-277V/AC	1W, 2W, 3W, 4W, 5W	3Hour	0°C to +40°C

**PRODUCT ORDERING GUIDE**

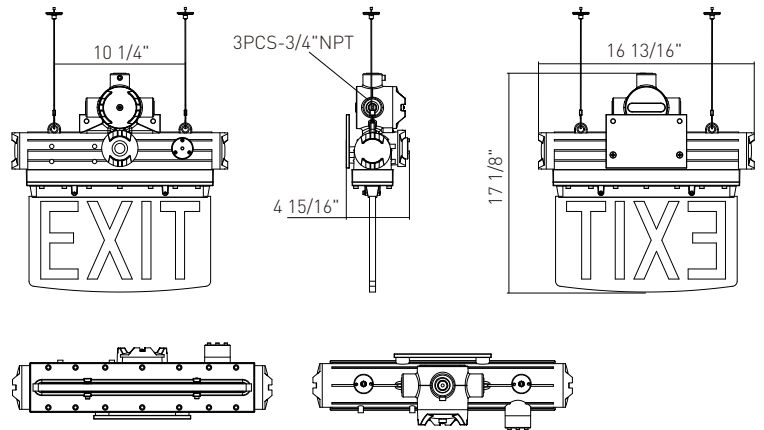
EX-5W JNRD180

1 2 3 4 5 6

EX - 5W J N R D180

- EX Explosion Proof product
- 5W Wattage: 1W, 2W, 3W, 4W, 5W
- J Product series: J series
- N Non-dimmable
- R Color of LED: R for red, G for green
- D180 Beam angle: 180°

**DIMENSION**



**Mounting Methods and Accessories:**

Wall Mounting:

Pendant Pipe Mounting :

- Model: Ex-Straight Pipe  
Name: Straight Pipe  
Material: Iron
- Model: EX-HD51-KBI  
Name: Junction Box  
Material: Aircraft Aluminum A383

Pendant Chain Mounting:

- Model: Ex-Mounting Sling  
Name: Mounting Sling  
Material: Stainless Steel S30400