



GREEN/RED COMBO EMERGENCY EXIT

Date:..... Location:

Product:..... Project:.....

Quantity:..... Catalog#

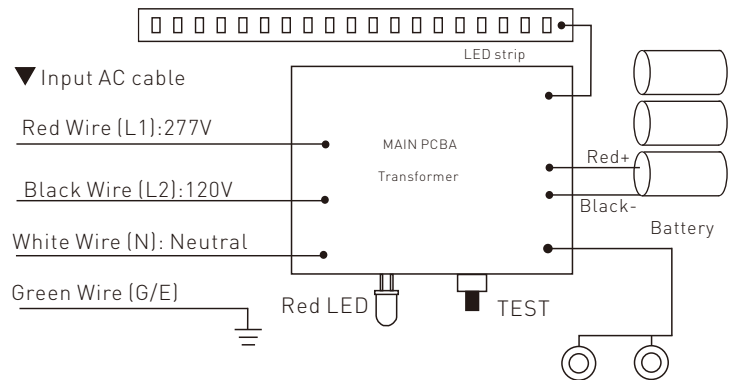


➤ Electric Characteristic

Model NO	Input Wattage	Input Current	Efficiency	Recharge Time	Output Wattage	Plug in LED	Lead-Acid Battery	Emergency duration	Product Size
LS-ES007SR	5W	0.04A	0.86P	24H	1W-2W	ΦRed*12pcs	3.6V/800mAh	>90mins	430*187*45/mm
LS-ES007SG	5W	0.04A	0.86P	24H	1W-2W	Green*12pcs	3.6V/800mAh	>90mins	430*187*45/mm

➤ DIMENSION

WARNING:
Unused wires must be capped using enclosed wire nuts.



READ AND FOLLOW ALL SAFETY INSTRUCTIONS

WARNING: FAILURE TO FOLLOW THESE INSTRUCTIONS AND WARNINGS MAY RESULT IN DEATH, SERIOUS INJURY OR SIGNIFICANT PROPERTY DAMAGE.

For your protection, read and follow these warnings and instructions carefully before installing or maintaining this equipment.

WARNING:

- RISK OF ELECTRIC SHOCK -NEVER CONNECT TO OR DISCONNECT FROM,OR SERVICE WHILE EQUIPMENT IS ENERGIZED.
- RISK OF FIRE. Lamps are hot.Keep combustible material away from hot parts. Observe lamp manufacturer's warnings, recommendations and restrictions on lamp operation and maintenance.Make sure lamps are correctly installed.
- DO NOT USE ABRASIVE MATERIALS,OR OTHER SOLVENTS.USE OF THESE SUBSTANCES MAY DAMAGE FIXTURE,WHICH MAY RESULT IN PERSONAL INJURY.
- RISK OF PERSONAL INJURY.This product may have sharp edges. Wear gloves to prevent cuts or abrasions when removing from carton, handling, installing and maintaining this product.
-

• IMPORTANT SAFETY GUIDES:

- Before wiring to power supply, turn off electricity at fuse or circuit breaker.
- Disconnect AC power and unplug battery before servicing.
- Consult your local building code for approved wiring and installation.
- Do not use outdoors.
- Do not let power supply cord touch hot surfaces.
- Do not mount near gas or electric heater.
- This product must be installed in accordance with the applicable installation codes and ordinances.
- Proper grounding is required to ensure personal safety (where applicable)..
- All service shall be performed by qualified personnel. This product must be installed and maintained in accordance with the applicable installation codes by a person familiar with the construction and operation of the product and the hazards involved. Equipment should be mounted in locations and at heights where it will not be subjected to tampered by unauthorized personnel.
- The use of accessory equipment not recommended by the manufacturer may cause an unsafe condition.
- Do not use this equipment for anything other than its intended use.

IMPORTANT:

1. When re-lamping use only lamps specified by the manufacturer. Using other lamp types may result in transformer damage or cause unsafe conditions.
2. Battery in this unit may not be fully charged. After electricity is hooked up to the unit, let the battery charge up for at least 24 hours. Then normal operation of this unit should then take effect.

INSTALLATION INSTRUCTIONS (Back mount):

1. Open face plate by blade screw driver
2. Determine which mounting holes will be used to mount the fixture to J-BOX and then punch out the proper K/Os from the K/O pattern on the back panel of housing
3. There are two additional KEY HOLE slots located on the top of the unit. These holes must be used when the unit mounted to the wall
4. Connect AC supply wires to fixture input wires. Black is for 120V; Red is for 277V; White is for neutral.

INSTALLATION DIAGRAM

